

Bluetooth adapter



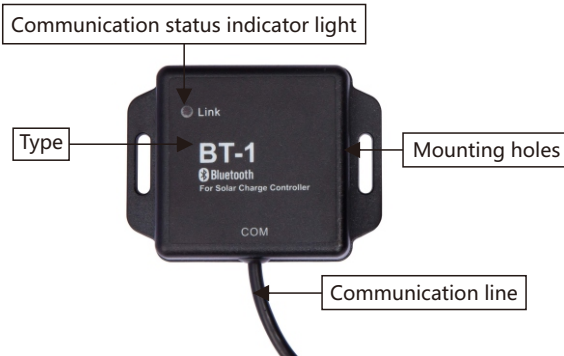
Products introduction

BT-1 and BT-2 are Bluetooth modules for our company's solar charge controllers. With mobile phone APP, they realise wireless monitoring, parameter setting and data viewing.

Main feature

1. Realize the solar controller of wireless monitoring function
2. Support mobile phone APP, plug and play, simple setting
3. The use of high performance, low power consumption of the bluetooth special chip
4. Adopt bluetooth 4.0 and BLE technology, has the characteristics of rapid communication and strong anti-jamming capability
5. Without external power supply, power supply directly by the communication port
6. Communication distance of up to 15 meters

Products features



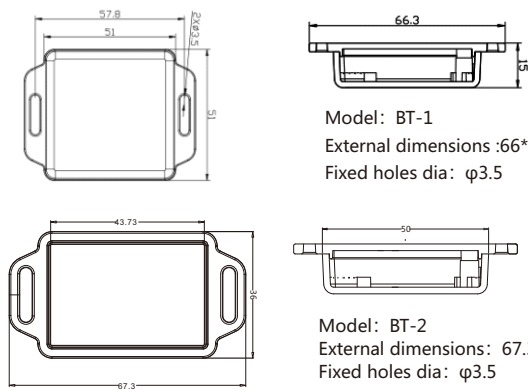
Indicator light instruction

Indicator light	State		Explain
	BT-1	BT-2	
Link indicator light	Red blink	Blue blink	In the communication
	Put out		Idle state

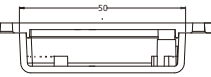
Applicable types

Model	BT-1	BT-2
Apply series	All of our controllers that employ RS232 communication and RJ11 or RJ12 port	All of our controllers that employ TTL level communication and PH2.0 port
Communication methods	RS232	TTL
controller port	RJ12	PH2.0-4

Product Dimensions



Model: BT-1
External dimensions :66*51*15.5mm
Fixed holes dia: ϕ 3.5



Model: BT-2
External dimensions: 67.3*36*15.5mm
Fixed holes dia: ϕ 3.5

System wiring diagram



Note: Cable using the standard Ethernet cable (parallel line) connect.

Applicable types

Type	BT-1	BT-2
Input voltage	5V-12V	
Stand-by power consumption	0.04W	
Run power consumption	0.05W	
Communication distance	≤15m	
Serial port baud rate	Fixed baud rate 9600bps	
Communication methods	RS232	TTL
Interface type	RJ12	PH2.0-4
Connecting line	Standard Ethernet cable(parallel line)	
Size	66*51*15.5mm	67.3*36*15.5mm
Installation dimension	57.8*12mm	57.8*12mm
Fixed holes dia	ϕ 3.5	
Operating temperature	-20°C-75°C	
Level of protection	IP67	IP52
Net weight	120g	

Download Bluetooth APP 

APP Store/ Google Play : search "Solar app"

* The administrator password of app: 135790123